

# MARCONIPHONE

## 882, 884, 885

H.M.V. 1104, 1301  
1501, 1601

Four-valve, plus rectifier, three wave-band, push-button superhet for 195-255v, 50-100 cycles.

**Circuit.**—An X65 frequency-changer is followed by a KTW61 I.F. amplifier and a DH63 for detection, A.V.C. and L.F. The output is a KT61 and the full-wave rectifier is a U50.

Pilot lamps : 6-8v., .3 amp. Consumption, 69 watts on radio, 81 watts on gram.  
Wavebands : 16-52, 192-572, 900-2,000 metres.  
Press-buttons : 1 and 2, 1,250-2,000; 3, 300-550; 4 and 5, 200-345 metres. P.B. wave switching.

Provision for high-resistance P.U. and 5 ohm extension speaker.

With both table and console models the pick-up plugs must be removed to revert to radio. One socket is split and insertion of a pick-up plug shorts the radio to chassis.

### GANGING

I.F. CIRCUITS.—Switch to M.W., tone clockwise, volume and tuning minimum. Adjust to 465 kc.

POINTER.—Should register on 192 m. at minimum.

S.W. BAND.—Volume up, tone anti-clockwise. Inject 0 mc., adjust loops in L7, L2. Check that receiver will tune to 16.8 m.

M. AND L.W. BANDS.—Set gang to minimum, inject 192 m., adjust TC8. Adjust TC7 at 220m. Adjust cores of L9 and L4 at 530 m.

Adjust TC9 and TC4 at 1,000 m. and L10, L5 at 1,750 m.

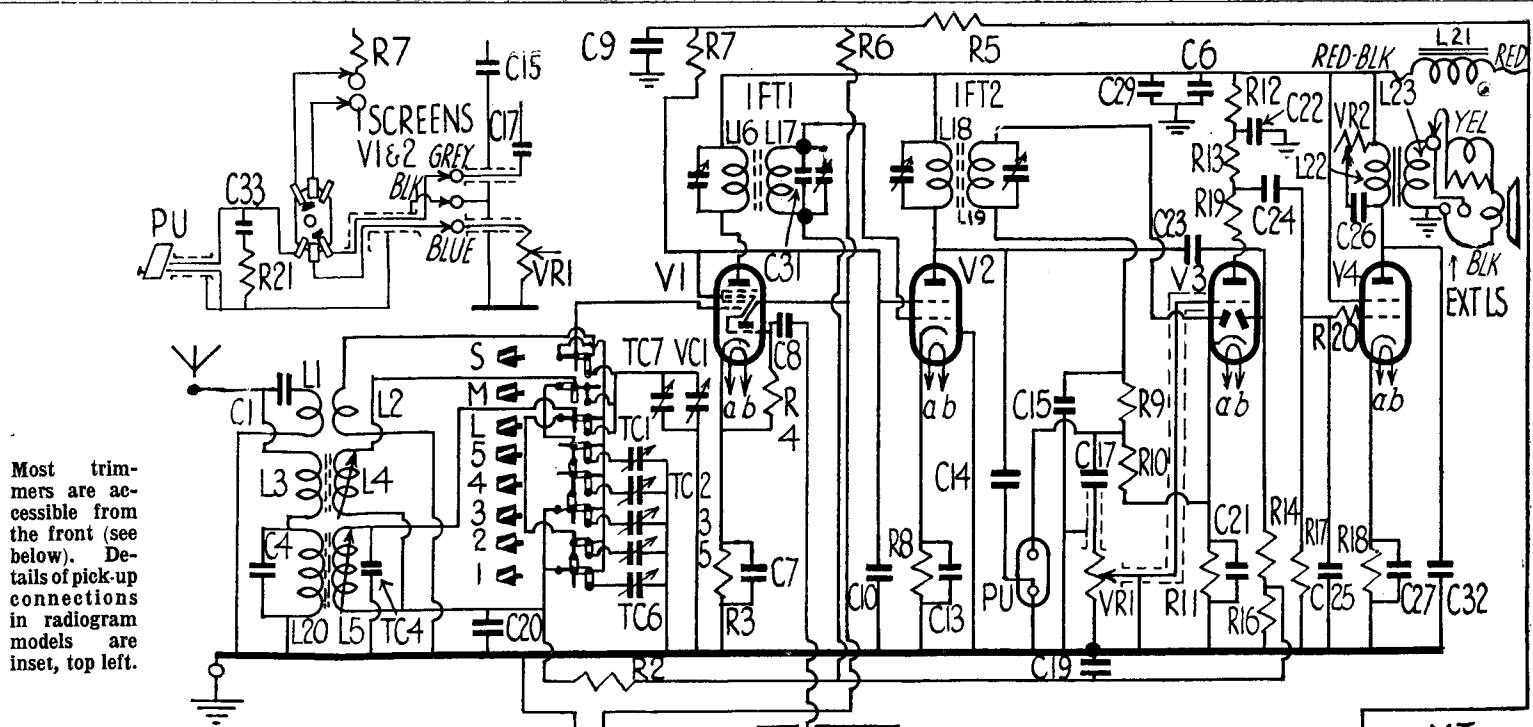
### BUTTON ADJUSTMENT

Preset tuning is provided by switching trimmers, TC1-TC6, into the aerial circuit and permeability coils, L11-15, into the oscillator circuit. The trimmers are situated by their respective buttons.

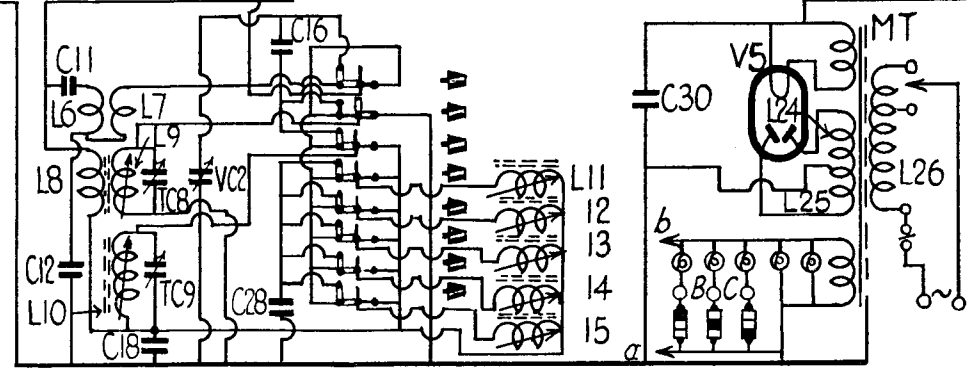
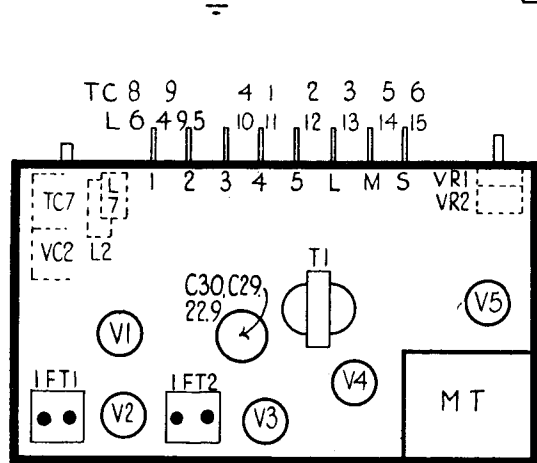
The trimmers should be set after the receiver has been working 15 minutes on the customer's mains. All P.B. aerial trimmers must be re-set after any ganging readjustments to the manual tuning circuits.

### VALVE VOLTAGES

V	Type	Anode	Screen	Cathode
1	X65	260	70	2.5
2	KTW61	260	—	—
3	DH63	110	70	3
4	KT61	248	260	4.3
5	U50	355 A.C.	—	365



Most trimmers are accessible from the front (see below). Details of pick-up connections in radiogram models are inset, top left.



CONDENSERS		C	Mfds.	C	Mfds.	C	Mfds.
1	..	35	mmfds.	10	..	.05	
4	..	.0005		11	..	.50	mmfds.
6	..	.1		12	..	.005	
7	..	.05		13	..	.05	
8	..	.75	mmfds.	14	..	.05	
9	..			15	..	.0001	
				16	..	.0005	
				17	..	.05	
				18	..	.350	mmfds.
				19	..	.05	
				20	..	.05	
				21	..	.50	
				22	..	.4	
				23	..	.0001	
				24	..	.05	
				25	..	.350	mmfds.
				26	..	.05	
				27	..	.50	
				28	..	.230	mmfds.
				29	..	.8	
				30	..	.16	
				31	..	.250	mmfds.
				32	..	.0023	
				33	..	.05	

### RESISTANCES

R	Ohms.	R	Ohms.
2	.. .23 meg.	13	.. 23,000
3	.. 350	14	.. .5 meg.
4	.. 50,000	16	.. 1.5 meg.
5	.. 23,000	17	.. .15 meg.
6	.. 23,000	18	.. 100
7	.. 23,000	19	.. 75,000
8	.. 350	20	.. 23,000
9	.. .1 meg.	21	.. 15,000
10	.. .5 meg.	22	.. 2 meg.
11	.. 2,300	23	.. .5 meg.
12	.. .1 meg.		

### WINDINGS

L	Ohms.	L	Ohms.
1	.. .7	14	.. 10
2	.. .1	15	.. 10
3	.. .24	16	.. 6.5
4	.. 2.25	17	.. 2.75
5	.. 17.5	18	.. 4
6	.. .8	19	.. 4
7	.. .1	20	.. 59
8	.. 1.75	21	.. 1,660
9	.. 3	22	.. 370
10	.. 7.5	23	.. .5
11	.. 3.5	24	.. 315
12	.. 3.5	25	.. 315
13	.. 5.5	26	.. 30